

KPTFAXC

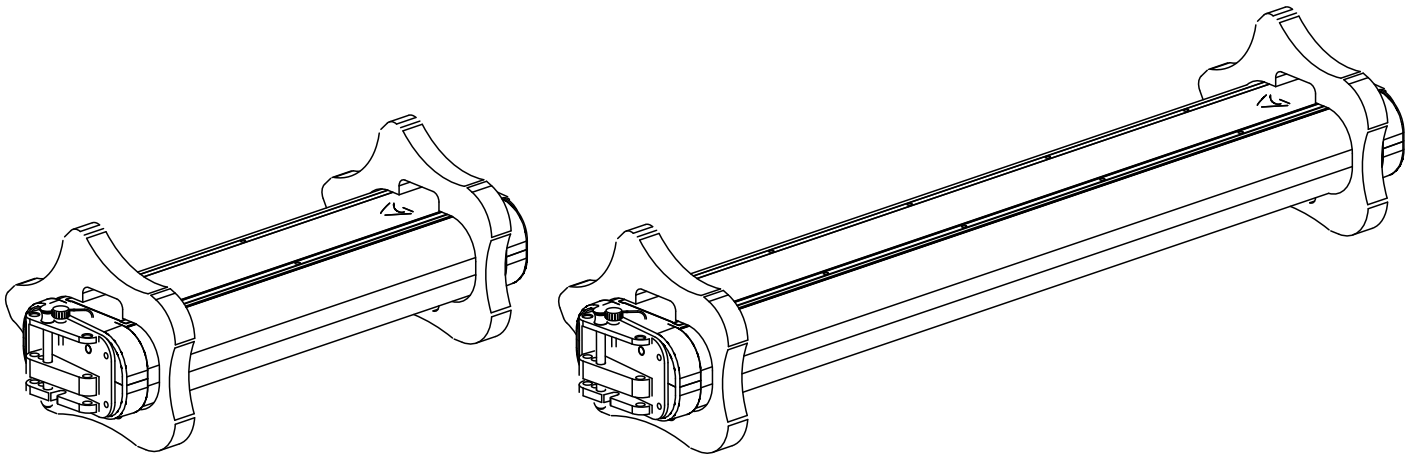
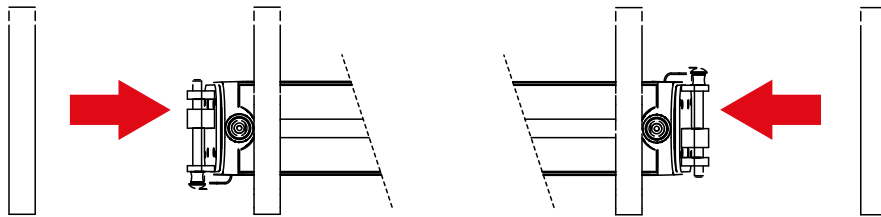
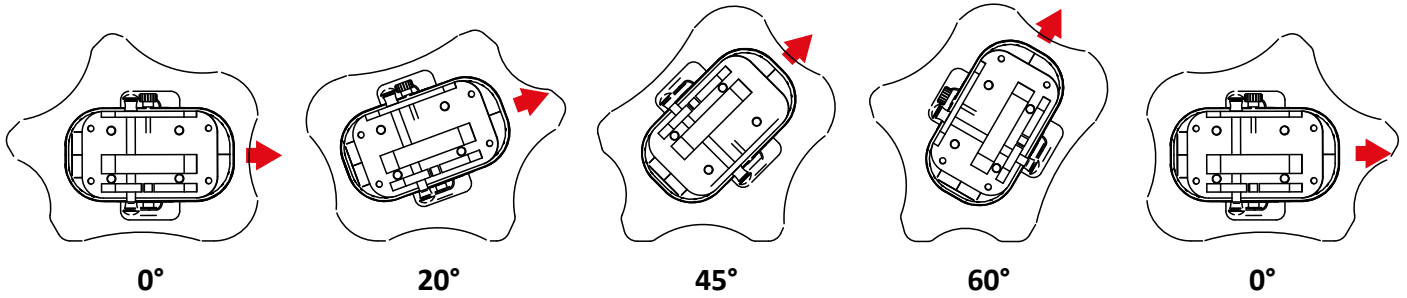
FLOOR AND MONITORING FOAM ADAPTERS

The KPTFAXC foam adapters, available in pairs and providing different tilt angles, are very simple and easy-to-use accessories for installing the AX6C or AX12C on the floor in monitoring or front fill applications.

Supplied materials:
2x Foam adapters

Instructions:

- 1) Move each pin in the 4° stack insertion hole.
- 2) Choose the aiming angle and insert the two foam adapters on each side, the following figure shows the shape and the correspondent angles.
- 3) The optimal position for the foam adapters is just next to the SPEAKON connector inlet.



⚠ CONDITIONS OF USE

Proel does not accept any liability for damage caused to third parties due to improper installation, use of non-original spare parts, lack of maintenance, tampering or improper use of this product, including disregard of acceptable and applicable safety standards.

Proel strongly recommends that this loudspeaker cabinet be suspended taking into consideration all current local regulations. The product must be installed by qualified personal. Please contact the manufacturer for further information.

⚠ WARNINGS

- Use the foam adapters exclusively for AX6C and AX12C models.